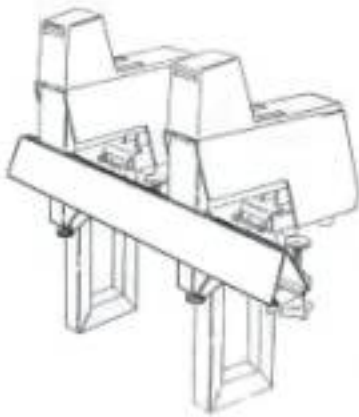


Binding Machine Store

Phone: 1-866-432-0042 / INT'L 1-718-859-0917 Fax: 718-228-7476 We Will Match Any Current Web Advertised Price!

Lassco W106-K W106-K Group Stapling Kit Rapid 106 Electric Stapler

http://www.bindingmachinestore.com/rapid_106_electric_stapler_234_15662.html



PRODUCT ID # : 15662

OUR PRICE

LIST PRICE :	\$205.00
INSTANT SAVING :	- \$50.00
SALES PRICE :	\$155.00
SHIPPING CHARGE :	FREE

PRODUCT DESCRIPTION

Lassco W106 K Group Stapling Kit Features Designed for the Rapid 106 and allows for multi stapling Operate two or more Rapid 106 staplers side by side with one foot switch Attached by optic cable Runner only accomodates saddle stapling The 106 K Stapling Kit incudes Saddle runner with two brackets Optic cable Two small anvils Specifications Minimum distance between staples 2 1 2 Inches Maximum distance between staples 15 inches Actual weight 3 lbs. Shipping weight 4 lbs. Ships via UPS

PRODUCT FEATURES

PRODUCT SPECIFICATION

DIMENSIONS

Weight:	3.00 lbs.
Width:	10.00 inches
Length:	12.00 inches
Height:	17.25 inches